

Lighting Control Panel - LCP-U



Product Overview

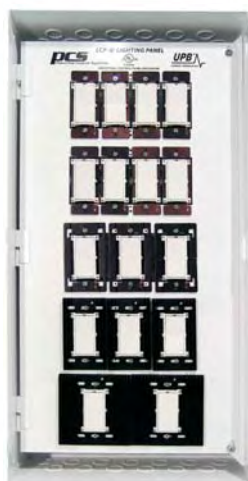


The Lighting Control Panel will simplify the design and installation of large PulseWorx Lighting Control Systems. The LCP-U panel will house up to twenty WS1D-6 dimmers, or fifteen WS1D-15 or ten WS1D-24 Dimmers controlling up to 20 individual circuits and delivering up to 24,000W of power. This is ideal for new construction or major remodel applications.

All of the above dimmers can each be connected to one or more remote slave switches (with one line-voltage traveler) enabling hard-wired on/off/dimming control of each circuit. All WS1D Dimmers will also control low-voltage magnetic loads, such as outdoor lighting.

Using LCP panels to centralize lighting loads offers several distinct advantages:

- The cost to design, layout, construct, wire, and program a lighting system is greatly reduced.
- The transmission/receiving characteristics of a central-star system are vastly superior to a conventionally wired system.
- The LCP is designed to properly dissipate the heat generated by high-power lighting controls, without having to worry about de-rating each load.
- The finished product using LCP lighting panels results in a professional, rugged, high-quality system.



The PulseWorx Lighting Control System allows the designer/installer to implement up to 16 pre-set scenes for each dimmer and over 250 scenes per house. When configuration is complete, a single push of a button is all you need to activate a scene (group of lights or control points) simultaneously. Each scene's pre-set lighting levels can be easily modified either manually with a few presses of a button or by using UPStart™ Setup software.

Control Panel Features

- **Construction**
The LCP series enclosure is a rugged NEMA1 grade panel made of 16 GA steel with a white powder coat finish.
- **Mounting**
The LCP is designed to be flush-mounted between two 16 inch center to center studs or surface-mounted on any flat surface. It measures 14.2" x 30.2" x 5.2"
- **Simple Wiring**
Enclosure is provided with 13 knockouts (1/2 X 3/4 combo type) on both the top and the bottom of the unit and 20 knockouts on the rear.
- **Security**
A locking door with two keys is provided to insure against tampering by unauthorized persons.
- **Hinged Front Door**
The front door is mounted on removable hinges so it may be completely removed from the enclosure for easy access.
- **Hinged Interior Panel**
The interior mounting panel is designed with removable hinges so it may be completely removed from the enclosure so that dimmers, switches or transmitters may be easily installed and wired. While installed the mounting panel can swing 90 degrees out of the enclosure for easy access for wiring the rear of the WS1D Dimmers or other equipment.

Lighting Control Panel - LCP-U



Ordering Information

- Model Number
LCP-U

Installation

- Pre-Wire
Wiring one 14GA (15A) or one 12GA (20A) feed from main panel to LCP location for each circuit to be controlled.
- Flush Mounting
The LCP can be installed between two standard 16" studs in a conventional 4" deep wall.
- Surface Mounting
The LCP can be installed on any flat wood or concrete surface.

Module Accommodation

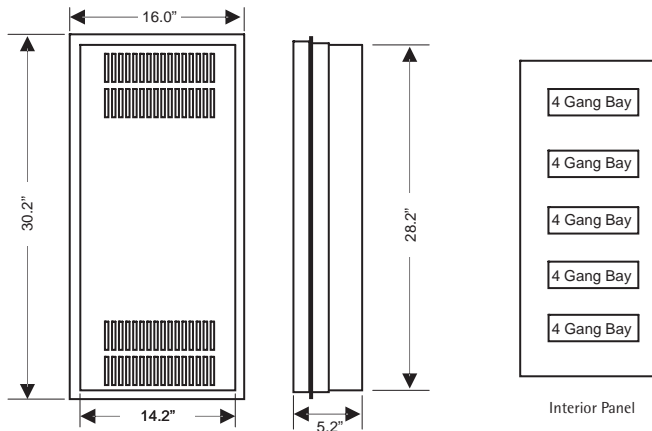
The following number of dimmers can be accommodated in the LCP:

Dimmer	Quantity
WS1D-6	20
WS1D-10	15
WS1D-15	15
WS1D-24	10

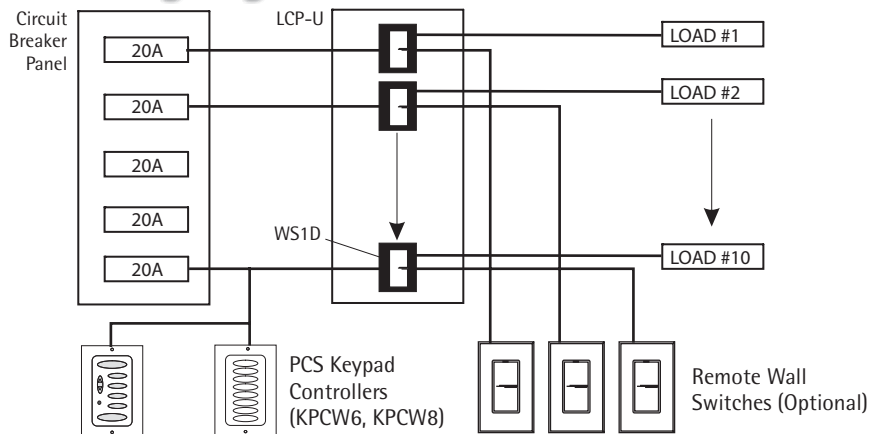
Additional Information

- Rating
NEMA 1 (indoor only), UL 508A Listed
- Warranty
Five-year limited warranty

Dimensions



Wiring Diagram



Model Number	LCP-U
Max Total Load	24,000W / 18,000VA
General Purpose Utility Bays	4 Gang X 5
Removable Door	Yes
Removable Interior Panel	Yes
Knockouts Top / Bottom / Rear	13/13/20 ½ X ¾ Combo Type
Color/Finish	White Powder Coat
Dimensions	30.2 H X 14.0 W X 5.0 D
Weight	33 lbs.
Mounting	Flush or Surface
Operating Temperature	- 40F to 104F