

For a properly balanced system, each split phase is wired into every other breaker, this is line 1(A) and line 2(B).  
 Note: Electrical panels split a 240v line into two 120v lines, two 1/2 phases are actually created.

Never install the switches under a load, it can 'POP' the chip and is not covered under warranty. Either turn off the circuit or airgap the switch.

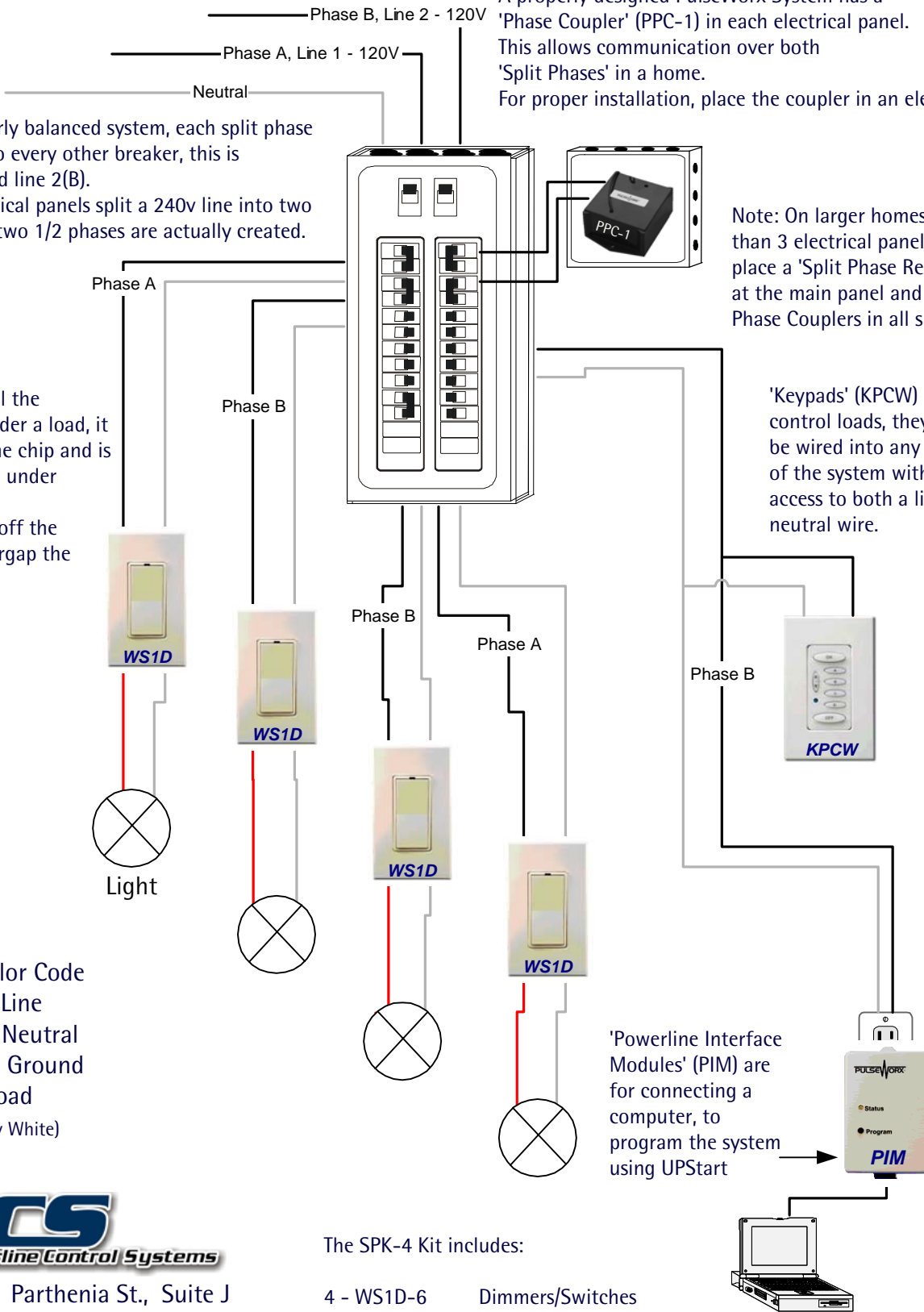
Wire Color Code  
 Black = Line  
 Grey\* = Neutral  
 Green = Ground  
 Red = Load  
 (\*Normally White)

A properly designed PulseWorx System has a 'Phase Coupler' (PPC-1) in each electrical panel. This allows communication over both 'Split Phases' in a home. For proper installation, place the coupler in an electrical box.

Note: On larger homes or if more than 3 electrical panels are present, place a 'Split Phase Repeater' (SPR) at the main panel and Phase Couplers in all subpanels.

'Keypads' (KPCW) do not control loads, they can be wired into any part of the system with access to both a line and neutral wire.

'Powerline Interface Modules' (PIM) are for connecting a computer, to program the system using UPStart



The SPK-4 Kit includes:

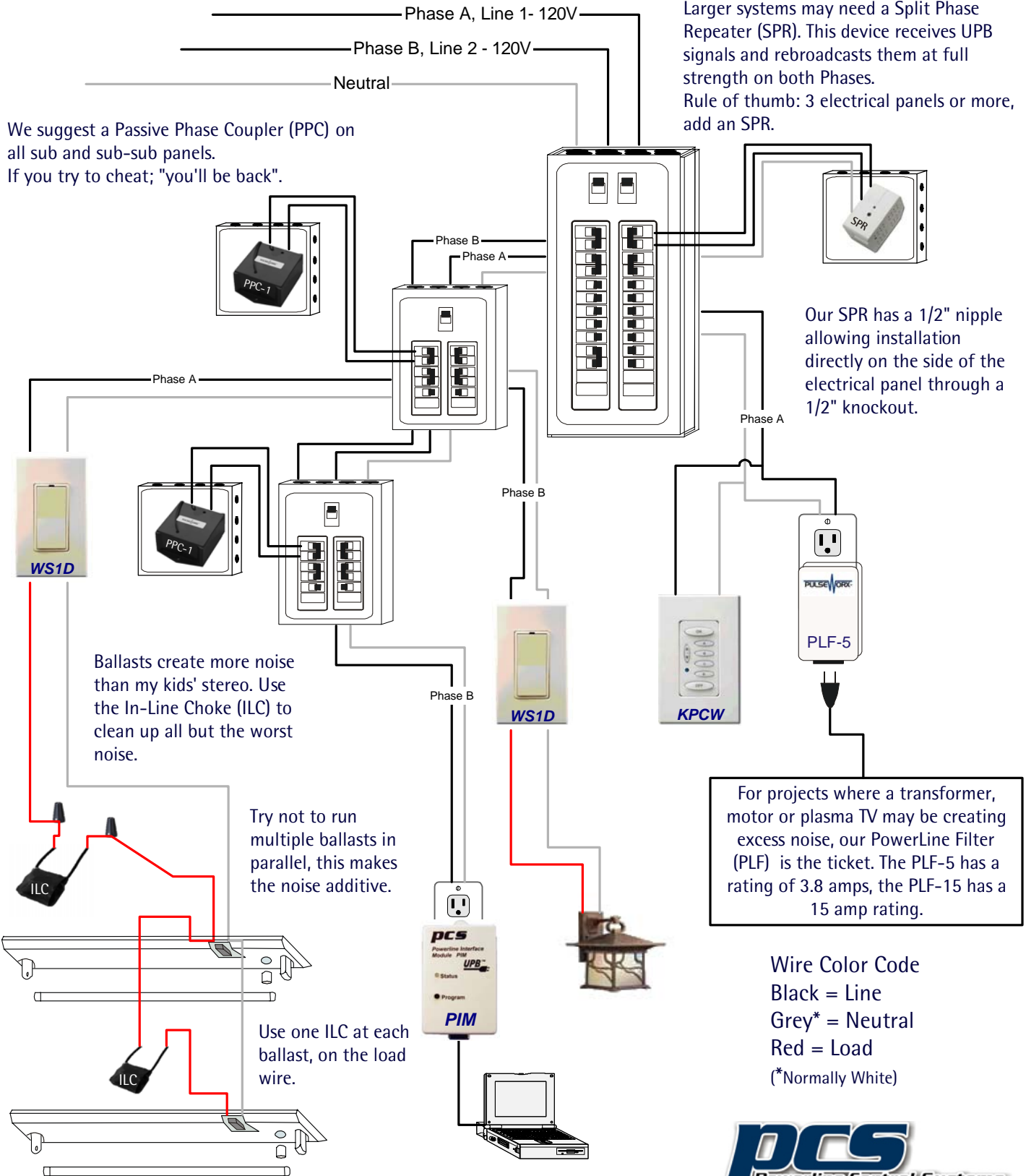
- 4 - WS1D-6 Dimmers/Switches
- 1 - KPCW-6 Keypad Controller
- 1 - PIM-R Powerline Interface Module
- 1 - PPC-1 Phase Coupler



19201 Parthenia St., Suite J  
 Northridge, CA 91324  
 888.701.9831  
 www.pcslighting.com

We suggest a Passive Phase Coupler (PPC) on all sub and sub-sub panels. If you try to cheat; "you'll be back".

Larger systems may need a Split Phase Repeater (SPR). This device receives UPB signals and rebroadcasts them at full strength on both Phases. Rule of thumb: 3 electrical panels or more, add an SPR.



Our SPR has a 1/2" nipple allowing installation directly on the side of the electrical panel through a 1/2" knockout.

Ballasts create more noise than my kids' stereo. Use the In-Line Choke (ILC) to clean up all but the worst noise.

Try not to run multiple ballasts in parallel, this makes the noise additive.

Use one ILC at each ballast, on the load wire.

For projects where a transformer, motor or plasma TV may be creating excess noise, our PowerLine Filter (PLF) is the ticket. The PLF-5 has a rating of 3.8 amps, the PLF-15 has a 15 amp rating.

**Wire Color Code**  
 Black = Line  
 Grey\* = Neutral  
 Red = Load  
 (\*Normally White)

UPStart, PCS' system programming software is a powerful tool that makes programming your lighting scenes as easy as 1-2-3. Visit support on our website for a free copy.



19201 Parthenia St., Suite J  
 Northridge, CA 91324  
 888.701.9831