

SceneMaster Version 3.0 Addendum

Important: All V3.0 Products Now have Setting for Dimming or Non-dimming Capability.

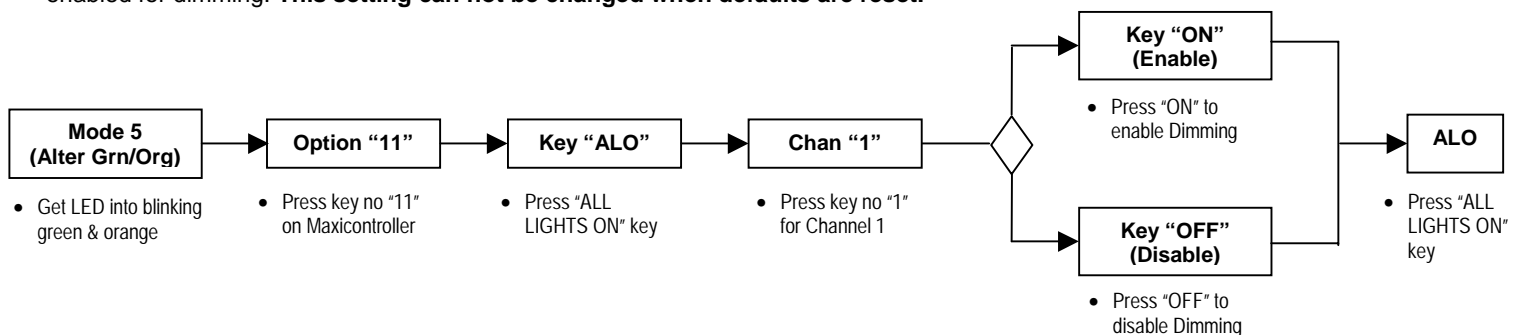
The V3.0 product includes all V2.0 features except for the following improvements:

Change 1: Orange and Green LED indication during System Reset Period

The Version 3.0 LED will turn orange, and then green during the reset period after power is restored to the product. The LED will eventually go to steady red when the product enters normal mode.

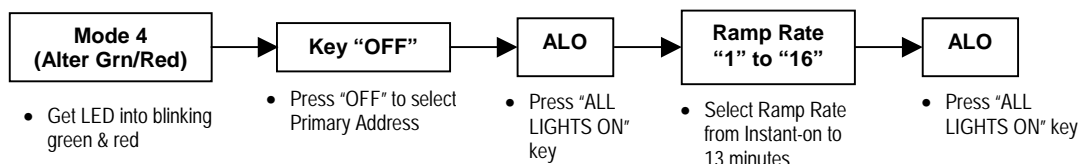
Change 2: Dimming can be enabled/disabled, Option 11 added to Mode 5 (Enabled is the default). Dimming Setting of each channel of multi-channel products can be independently set.

Advanced Programming Option 11 in Mode 5 has been created to enable or disable the Dimming capability for each channel. The Dimming Setting can now be set by the installer for dimming or non-dimming applications. In the non-dimming state, all addresses (primary and scenes) and manual switch operation will have only two levels (OFF and 100% ON). As a factory default this feature is enabled for dimming. **This setting can not be changed when defaults are reset.**



Change 3: Primary Address and Manual Operation can have Ramp Rates from Instant-on to 13 Minutes (enabled is the default)

A selection in Mode 4 has been added to provide the full set of Ramp Rates for the Primary Address and Manual Operation of the switch.



Change 4: Default Scene Addresses have all been set to "P16" at 100% brightness.

There are no longer sixteen different default Scene Addresses. Factory defaults sets all sixteen Scene Addresses to the address "P16" at a brightness level of 100%. Scenes 1 to 15 have a Ramp Rate 2 (3 secs when turning on or turning off) and Scene 16 has a Ramp Rate 16 (Security Flashing - cycling of 1 sec on/1 sec off). The installer or user should program new scene information (addresses, brightness levels, ramp rates) whenever creating new scenes.

Change 5: Remotes connects to either Phase, and Length between Master & Remote has been Extended

The Remote Switches can now be connected to either phase of a two-phase residence and the length limitation of the Control Wire (yellow) between the Master switch and the Remote switch(es) have been extended up to 1000 ft.