

TST - TouchScreen Timer



Product Overview



Model TSTD-B

The TST TouchScreen Timer is a cost effective full featured color 3.6 inch touch panel controller which is designed to allow a user to control PulseWorx UPB devices by just plugging it into a PIM-R Powerline Interface. Room and Scene control is handled through this elegant wide viewing angle customizable ¼ VGA TFT touch-responsive LCD display over the existing power wiring.

Control 250 individual lights or trigger custom scenes and even regulate 99 scheduled events from one central place within 50 feet of an available electrical outlet.

The TST with exceptional brightness and high contrast is available in two versions, an elegant black table top version or a wall mountable unit which fits in a standard 2-gang electrical box.

Using the TouchUP Graphical User Interface (GUI) Software will enable you to manage Room, Module, Scene and Schedule buttons to create your own personal display. Create up to 99 schedules which will automatically control any UPB device or scene at pre-set times and/or days. Timed Events may be specified as absolute times or as times relative (plus or minus) to dusk or dawn. The unit is self contained and battery backed up in case of power failure to protect the astronomical settings for over 5 years.



Model TSTW-W

By importing your existing UPStart configuration file into the TouchUP software, you can save time and keep everything consistent. Status indication of intensity and activation are standard features.

The TST TouchScreen Timer is designed to be an integral part of PCS's UPB™ Lighting Control System and it is also compatible with other UPB lighting control systems.

The TSTPA power adaptor (sold separately) makes for easy connection of the 12VDC 170ma power supply and the PIM-R RS232 Powerline Interface (sold separately) to the TST.

Controller Features

- **Programmable Buttons**
Each button can be programmed to control any of the available 250 scenes or devices.
- **Room Control**
Set up screens for individual device control in each room.
- **Scene Control**
Set up screens to activate scenes with a touch of a button.
- **Timed Events**
99 Timed Events for individual lights or scenes including Dawn/Dusk with offset.
- **Feedback**
Status indication for intensity and module response.
- **Battery Back-up**
5 year protection of Astronomical Time Clock settings if power fails.
- **Aesthetic Design**
Full featured, high resolution color display is easy to read and simple to navigate.
- **Customized Button Labels**
Labeling of each pushbutton is up to your imagination.
- **Easy Installation**
Available in table top or direct mounting into standard two-gang electrical box. Use single CAT5 cable for power and communication delivery.
- **Perfect For Retrofit**
Transmits signals over existing power wiring so there is no need for expensive hard wiring.
- **UPStart Support**
Import your completed design from UPStart to save time. No duplicate typing.
- **Documentation**
Print out of defined rooms, devices, scenes and schedules stored in the touchscreen's memory.

TST - TouchScreen Timer





Ordering Information

- Part Number
 - TSTW-X TouchScreen Timer - Wall Mount
 - TSTD-B TouchScreen Timer - Desktop
 - TSTPA TouchScreen Power Adaptor
 - TSTS TouchScreen Stand
 - TSTB-X TouchScreen Bezel
 - X (color) White (W), Black (B)

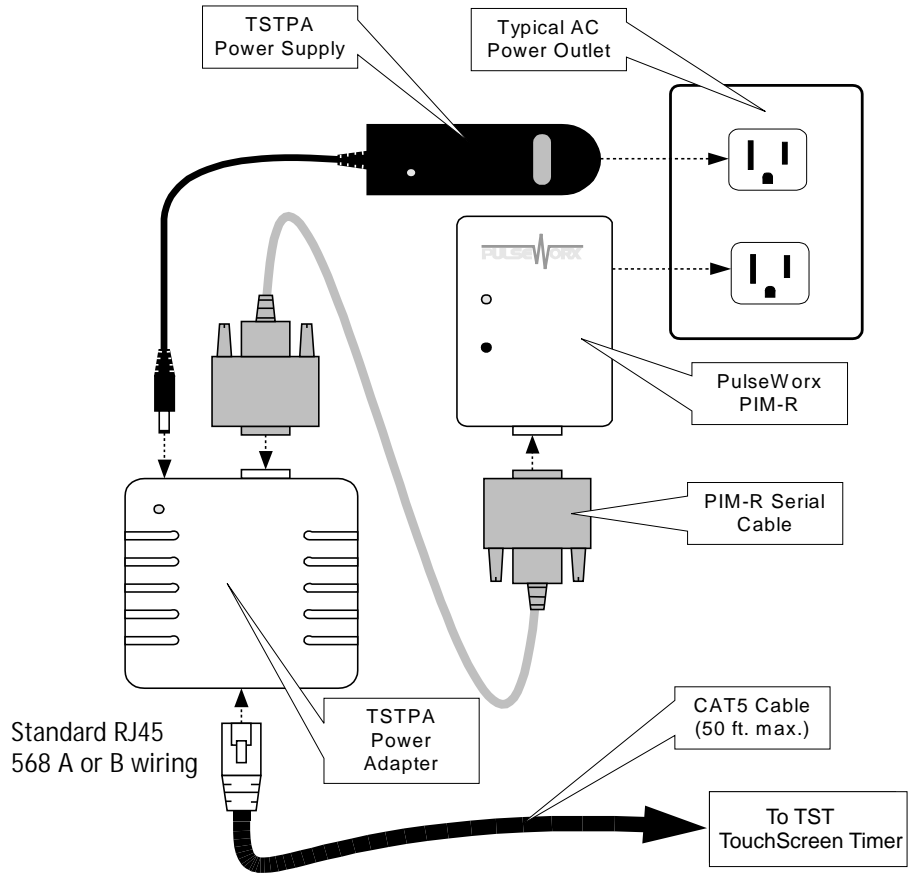
Additional Information

- Warranty
 - Five-Year Limited Warranty

Colors

	WHITE
	BLACK

Wiring Diagram



Specifications	TSTW	TSTD
Type of Touchscreen	Active Matrix LCD	
Dimensions	4 ½ x 4 ½ x 1 ½	
Screen Size and Resolution	3.6 inches Diagonal 320 by 240 Lines Processor	
Processor	400MHZ/800 MMACs High Performance	
Memory	16 Mb Ram, up to 16 Mb Flash	
Graphic Engine	24 Bit RGB 16,384,000 colors	
Power Supply	10-28VDC	
Weight	19.7 oz.	23.2 oz.
Mounting	Dual Gang J-box	Desktop Stand
Operating Temp	-40 F to 104 F	