



FUNCTION

The TSTPA Power Adapter Kit supplies operating power to the TST Touch Screen Timer and a connection point to the PCS PIM-R. The TST is a high quality home automation interface that is capable of transmitting UPB (Universal Powerline Bus) digital commands over the existing power wiring. The TST communicates on the powerline via a UPB PIM-R (sold separately).

The Power Adapter Kit contains the following items:

- Plug-in Power Supply
- TST Power Adapter Module

The Power Supply provides 12 VDC at 300mA to supply the TST Touch Screen Timer with adequate operating power. The TST Power Adapter Module makes all of the necessary power conditioning and interconnects. The TST Power Adapter Module contains three different connectors as follows:

- Power Supply Connector
- DB9 Connector
- RJ45 Connector

The Power Supply Connector

The Power Supply Connector accepts the 12VDC power from the Plug-in Power Supply.

The DB9 Connector

The male DB9 connector accepts the serial cable supplied with the PIM-R and provides the necessary signals for running the PIM-R Powerline Interface Module.

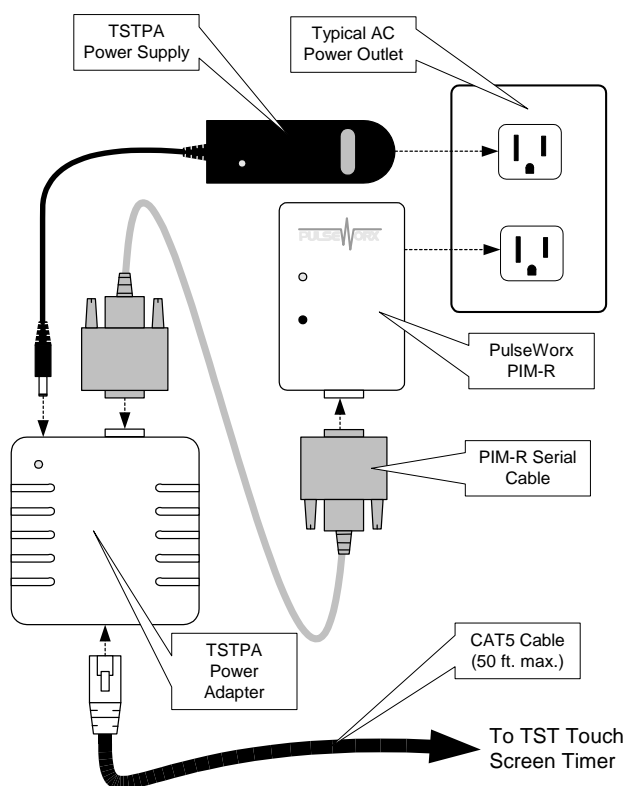
The RJ45 Connector

The female RJ45 Connector accepts a CAT5 cable that connects to the TST Touch Screen Timer. This cable carries both the power and the PIM signals to/from the TST.

INSTALLATION

The TST is designed for indoor operation only. Follow the instructions below to install the TSTPA.

1. Connect the PIM Serial Cable (supplied with the PIM-R) between the TSTPA and the PIM-R.
2. Insert the Plug-in Power Supply into any nearby wall electrical outlet (usually the same one as the PIM-R) and insert its jack into the TSTPA Power Supply Connector.
3. The LED on the front of the TSTPA will light up indicating that it now has proper power.
4. Insert the CAT5 cable's RJ45 jack into the TST RJ45 Connector.



LIMITED WARRANTY

Seller warrants this product, if used in accordance with all applicable instructions, to be free from original defects in materials and workmanship for a period of five years from the date of purchase. Refer to the warranty information on the pcslighting website (www.pcslighting.com) for exact details.